

The mortise lock 200 series

dormakaba 



Mortise locks for wide-stile doors

Dormakaba locks offer the very highest standard of quality and functional reliability. With the use of high-grade materials, precise production techniques and a comprehensive quality management system, all dormakaba

locks meet demanding technical specifications. Additionally, locks conforming to the technical requirements of DIN and EN standards also offer unbeatable ease of use and security features. They are also serving a wide

range of application possibilities for both private and public buildings. Locks from dormakaba are also offered as a set. Then the package contains the Mortise lock with screws and striking plate.

Mortise locks 208-290

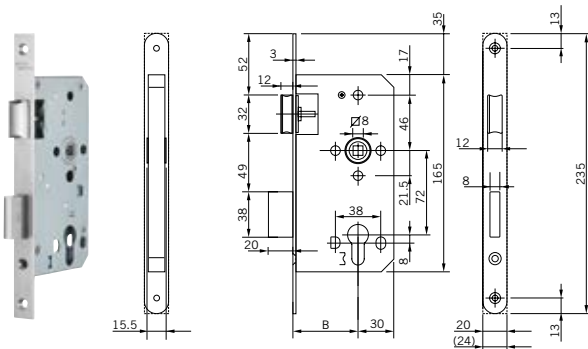
The mortise lock range 232-290 at a glance:

- Lock case size DIN 18251-1
- Grade 2-EN 12209
- Closed case, zinc plated,
- latch and deadbolt stainless steel
- Reversible latch without tools
- Forend satin stainless steel
- Forend width 20 or 24mm
- Forend round or square
- AISI 304
- Optinal (additional a): with square strikeplate, strikebox and screws
- 281-290: CE certified
- 281-290: Approved for fire-rated doors

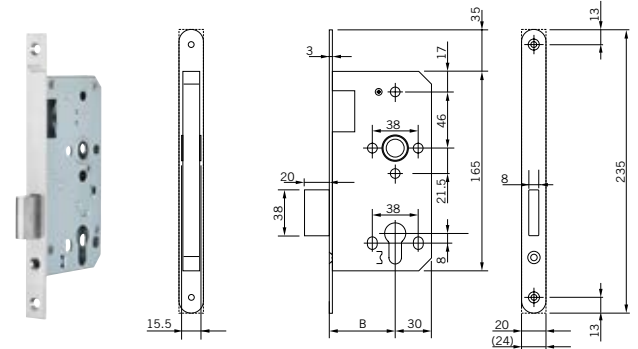
208/209:

- Grade 2-EN 12209
- Small lock case
- Closed case, zinc plated, latch and deadbolt zinc, nickel plated
- Forend round or square
- Forend width 20 or 24 mm
- Forend satin stainless steel
- AISI 304
- Reversible latch without tools (only 209)
- Non handed: reversible latch without any tools

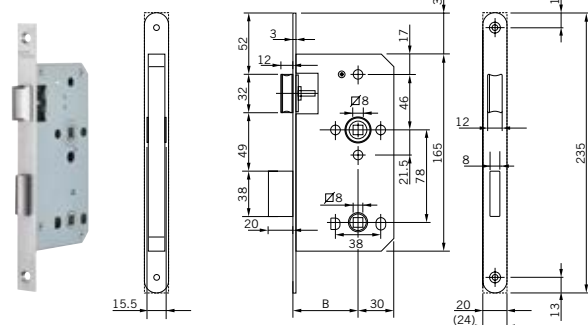
Features	208	209	232	233	235	271	275	278	279	281	285	288	289	290
follower, 8 mm steel blade		●			●	●	●		●	●	●		●	●
Centre distance: 72 mm					●	●				●				●
Centre distance: 78 mm							●				●			
For Europrofile cylinders	●		●			●		●		●		●		●
Bathroom/WC				●	●		●				●			
Bolt projection (mm)	20		10	20	10	20	10	20		20	10	20		
Fire-rated door										●	●	●	●	●
Backset (mm)	55	55	55	55	55	55-80	55-80	55-80	55-80	55-80	55-80	55-80	55-80	55-80
Latch bolt retractable by handle or cylinder					●	●	●			●				●



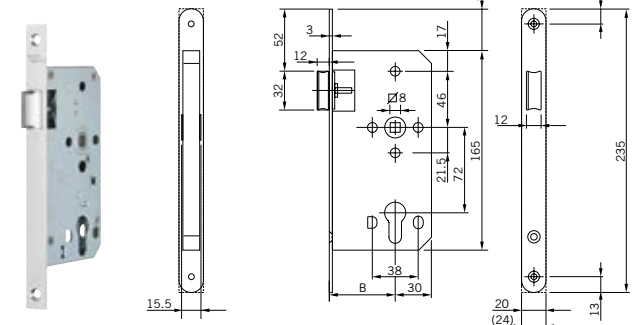
281



288



285



289